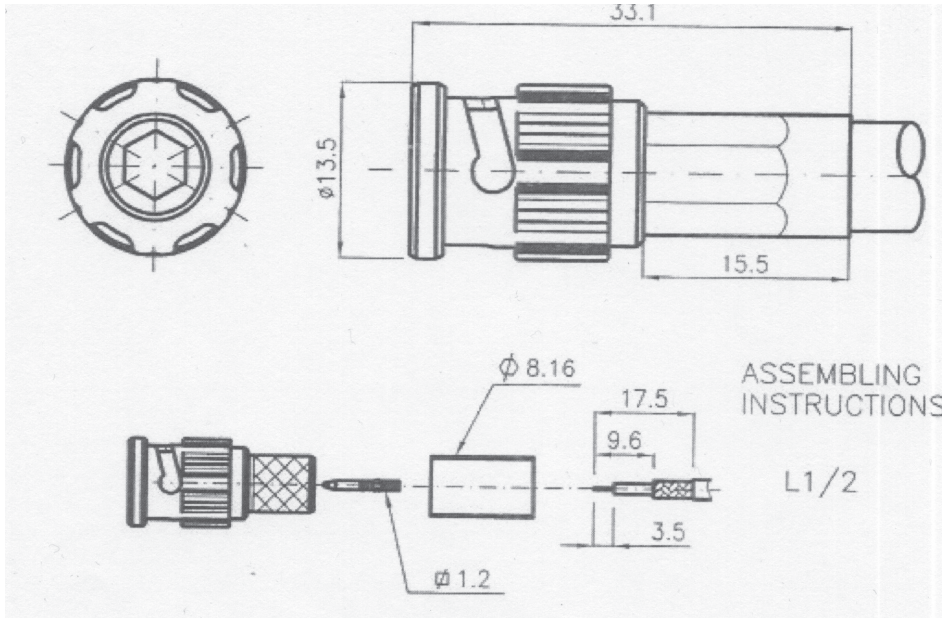




BNC connector crimp for RG 6A/U Marine SHF1 Plug full crimp 75 Ohm



Specifications:

Mating and dimensions: As per CECC 22120

Construction:

<i>Body:</i>	Brass	≥ Ni
<i>Inner contact:</i>	Brass	≥ Au
<i>Insulator:</i>	PTFE	
<i>Crimping ferrules:</i>	Soft Cu	≥ Ni

Prod. no.: LSD.53.938

Standard packing: 100pcs /bag

For cable: RG 6 Marine SHF1
Outer jacket diam. 8,7mm max.

